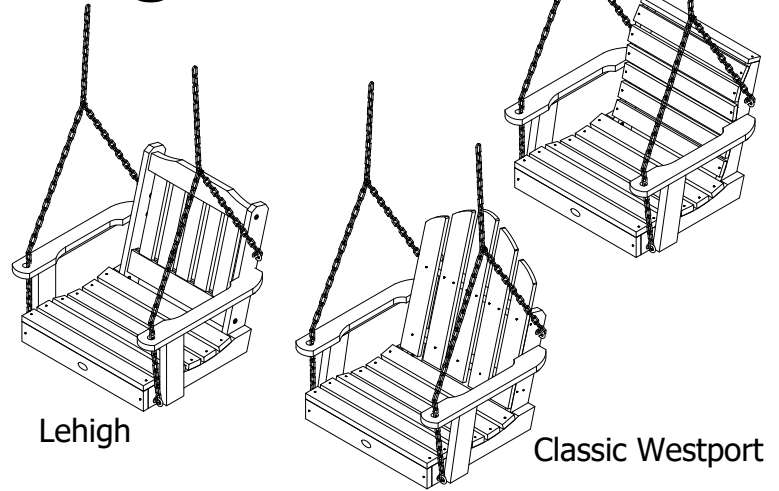


# Lehigh, Weatherly, Classic Westport Collection

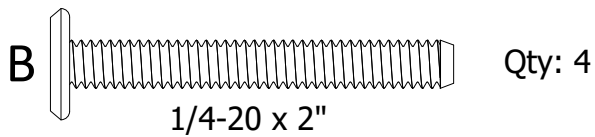
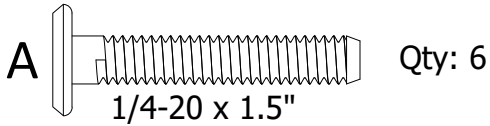
## Single Seat Porch Swings

### Assembly Guide



**IMPORTANT!**  
 DO NOT fully tighten the bolts until all bolts are started.  
 Once all bolts are inserted, go back & tighten all the bolts.

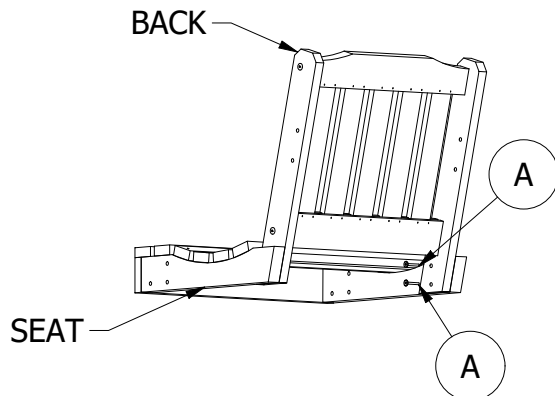
#### HARDWARE INCLUDED



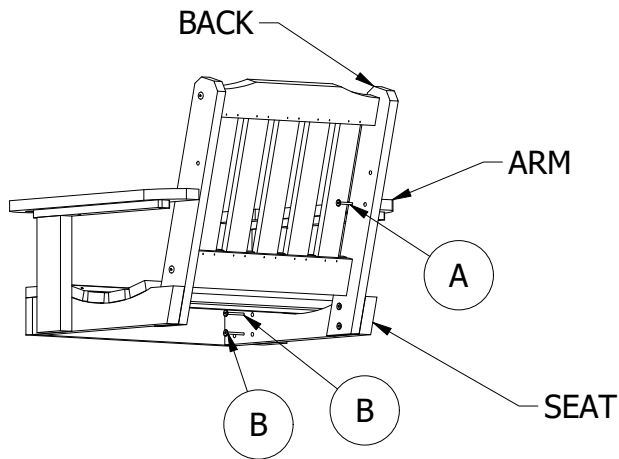
**\*\* Chain Attachment Kit**

- 5/16-18 x 2" Eyebolt - Qty: 4
- 5/16-18 Nylon Lock Nut - Qty: 4
- 5/16 Flat Washer - Qty: 4
- HDK-CHAINLONG - Qty: 2
- HDK-CHAINSHORT - Qty: 2
- Chain Link Connector - Qty: 2

#### TOOLS INCLUDED

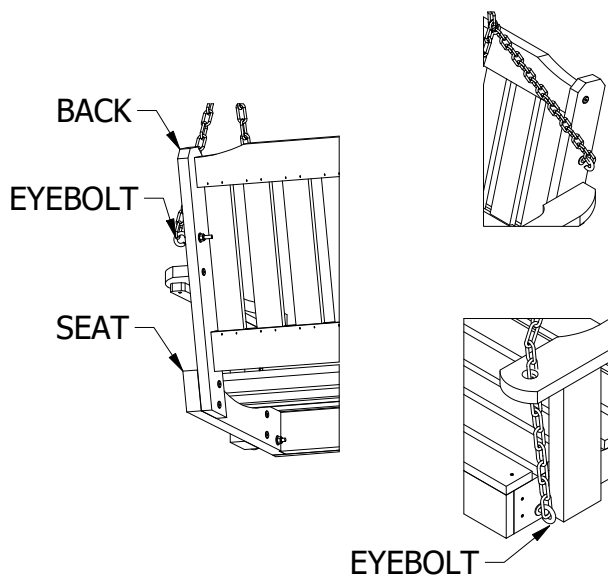


**1) Attach Back to Seat using (2) A Bolts on each side.**



**2)** Attach the Arm to the Back using (1) A bolts on each side

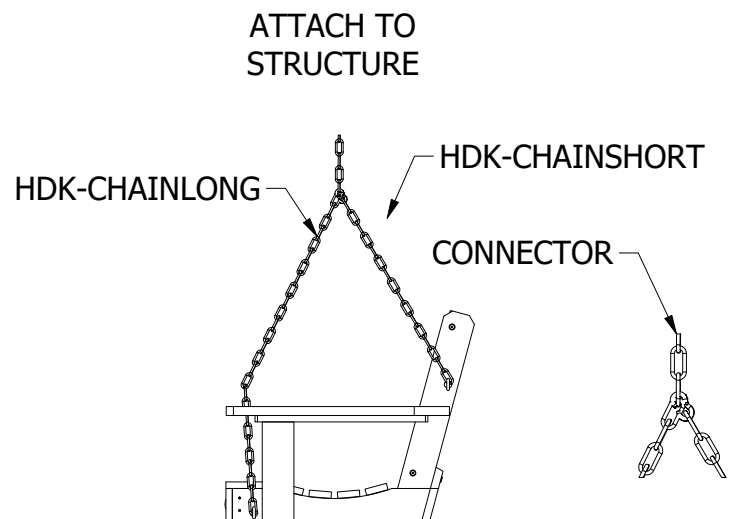
**3)** Attach the Arm to the Seat using (2) B bolt on each side



**7)** Attach Eyebolt to Back. Insert bolt through Back, attach washer and nut on inside of back. Align Eyebolt as shown and tighten.

**8)** Attach Eyebolt to Seat. Insert bolt through Seat, attach washer and nut on inside of Seat. Align Eyebolt as shown and tighten.

**9)** Repeat on other side.



**10)** Attach HDK-CHAINSHORT to back Eyebolt, attach Chain Link Connector to other end of chain.

**11)** Attach HDK-CHAINLONG to seat Eyebolt, guide chain through hole in Arm and attach to other end of Chain Link Connector so that arm is level as shown.

**12)** Repeat on other side.

**13)** Attach ends of HDK-CHAINLONG to structure.